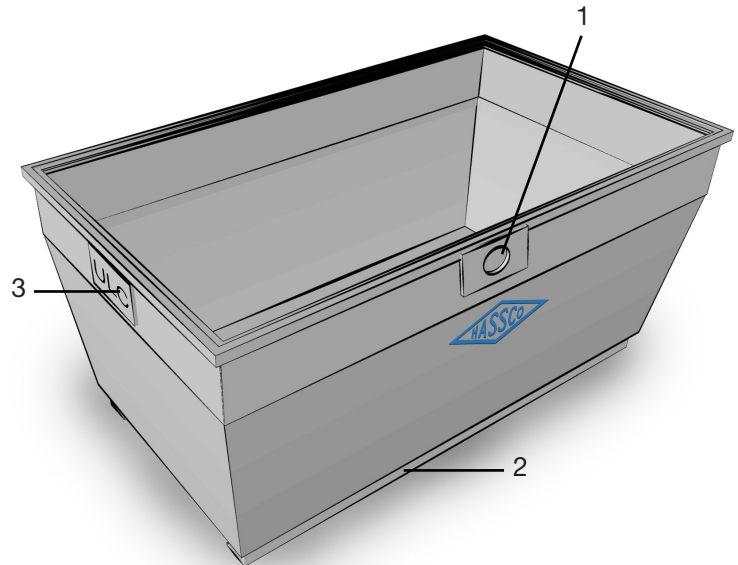


Hassco

# Secondary Containment Units

1. Lift Lug
2. Channel Runners
3. ULC Label



Material (gauge)	Capacity	Height	Length	Width	Weight
11	1300L	30"	72"	48"	700lbs.
11	1500L	30"	84"	48"	750lbs.
11	2500L	42"	84"	60"	900lbs.
11	5000L	42"	156"	60"	1350lbs.

## General Information

HASSCO's Secondary Containment Unit is an excellent solution for current owners of single wall tanks who wish to increase their fuel storage security by adding secondary containment.

## Options

- Varying paint finishes
- Powder Coating

## Sizing

- These units are available for various tank capacities

## Conformity

- ULC

